



Marketing Materials



Table of Contents

Brochures

- AGA Cooker.....4
- AGA 6:4.....4
- AGA Legacy4
- AGA Undercounter Refrigeration.....4
- AGA PRO+™4

POP

- AGA PRO+™ Oven Sticker5
- AGA PRO+™ Tent Card5
- AGA PRO+™ Hang Tag5
- AGA PRO+™ Color Chip Fan Deck5
- AGA PRO+™ Easel Card5

Videos

- AGA Promotional DVD6
- AGA Owners DVD6

Color Chips

- AGA Cooker Color Chip6
- AGA Cooker Color Chip Set6
- Mini AGA Face Plate.....6

Signage

- AGA LED Sign.....7

Displays

- AGA Double Stacked Undercounter Refrigeration Display.....7
- AGA Single Undercounter Refrigeration Display.....7
- AGA Legacy Kitchen Display8
- AGA PRO+™ Kitchen Display.....9
- AGA Short Range Display (36" - PRO+™ or Legacy)10
- AGA Tall Range Display (36" - PRO+™ or Legacy).....11

- Ordering Policy12

Brochures



Part Number	Cost	Description
AG-A2850	N/C	AGA Cooker Brochure
AG-A2850Q	N/C	French AGA Cooker Brochure



Part Number	Cost	Description
AG-A3929	N/C	AGA 6:4 Brochure
AG-A3929Q	N/C	French AGA 6:4 Brochure



Part Number	Cost	Description
AG-A4200	N/C	AGA Legacy Brochure
AG-A4200Q	N/C	French AGA Legacy Brochure



Part Number	Cost	Description
AG-A4201	N/C	AGA Undercounter Refrigeration Brochure
AG-A4201Q	N/C	French AGA Undercounter Refrigeration Brochure



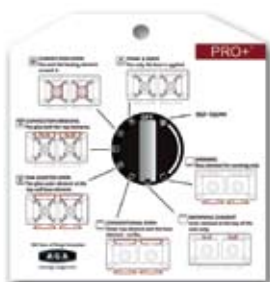
Part Number	Cost	Description
APROLIT0210E	N/C	AGA PRO+™ Brochure
APROLIT0210F	N/C	French AGA PRO+™ Brochure



Part Number	Cost	Description
APROWSTKR0210E	N/C	AGA PRO+™ Oven Sticker
APROWSTKR0210F	N/C	French AGA PRO+™ Oven Sticker
<i>*For AGA PRO+™ displaying dealers only</i>		



Part Number	Cost	Description
APROTCRD0210E	N/C	AGA PRO+™ Tent Card
APROTCRD0210F	N/C	French AGA PRO+™ Tent Card
<i>*For AGA PRO+™ displaying dealers only</i>		



Part Number	Cost	Description
APROHTAG0210E	N/C	AGA PRO+™ Hang Tag
APROHTAG0210F	N/C	French AGA PRO+™ Hang Tag
<i>*For AGA PRO+™ displaying dealers only</i>		



Part Number	Cost	Description
APRO-FANDECK	N/C	AGA PRO+™ Color Chip Fan Deck
APRO-FANDECK-FR	N/C	French AGA PRO+™ Color Chip Fan Deck



Part Number	Cost	Description
APROESLCD	N/C	AGA PRO+™ 11 X 17" Easel Card

Videos, Color Chips



Part Number	Cost	Description
AG-A4608	N/C	AGA Promotional DVD
AG-A4609	N/C	AGA Owners DVD



Part Number	Cost	Description
AG-CHIPCARDAUB	N/C	Aubergine Cooker Color Chip
AG-CHIPCARDBLK	N/C	Black Cooker Color Chip
AG-CHIPCARDBRG	N/C	British Racing Green Cooker Color Chip
AG-CHIPCARDCLT	N/C	Claret Cooker Color Chip
AG-CHIPCARDCRM	N/C	Cream Cooker Color Chip
AG-CHIPCARDDBL	N/C	Dark Blue Cooker Color Chip
AG-CHIPCARDHEA	N/C	Heather Cooker Color Chip
AG-CHIPCARDPAS	N/C	Pearl Ashes Cooker Color Chip
AG-CHIPCARDPWT	N/C	Pewter Cooker Color Chip
AG-CHIPCARDPIS	N/C	Pistachio Cooker Color Chip
AG-CHIPCARDWHT	N/C	White Cooker Color Chip



Part Number	Cost	Description
AG-9995	N/C	AGA Cooker Color Chip box includes: 2 chips of each color mounted to cards. (Heather and Pistachio only include one sample each.) <i>Note: Cards can be re-ordered individually</i>



Part Number	Cost	Description
AG-W1940AUB	\$7.00 ea.	Aubergine Mini AGA Face Plate
AG-W1940BLK	\$7.00 ea.	Black Mini AGA Face Plate
AG-W1940BRG	\$7.00 ea.	British Racing Green Mini AGA Face Plate
AG-W1940CLT	\$7.00 ea.	Claret Mini AGA Face Plate
AG-W1940CRM	\$7.00 ea.	Cream Mini AGA Face Plate
AG-W1940DBL	\$7.00 ea.	Dark Blue Mini AGA Face Plate
AG-W1940HEA	\$7.00 ea.	Heather Mini AGA Face Plate
AG-W1940PAS	\$7.00 ea.	Pearl Ashes Mini AGA Face Plate
AG-W1940PWT	\$7.00 ea.	Pewter Mini AGA Face Plate
AG-W1940PIS	\$7.00 ea.	Pistachio Mini AGA Face Plate
AG-W1940WHT	\$7.00 ea.	White Mini AGA Face Plate

Signage, Displays



Part Number	Cost	Description
AG-ALEDF001	\$25.00	AGA LED Sign



Dimensions: 26"W x 27"D x 84"H (Two Units)
 52"W x 27"D x 84"H (Two Units)
 Materials: Two Sided Undercounter, Stainless Steel with
 Standoffs, All Ledges to be 5/8" Aluminum, Center
 Capless Strip, Holders for automatic storage

Part Number	Cost	Description
ADDF001	\$300.00	AGA Double Stacked Undercounter Refrigeration display. Dimensions: 26"W x 27"D x 84"H. Please allow 6-8 weeks for delivery. (2 shown)



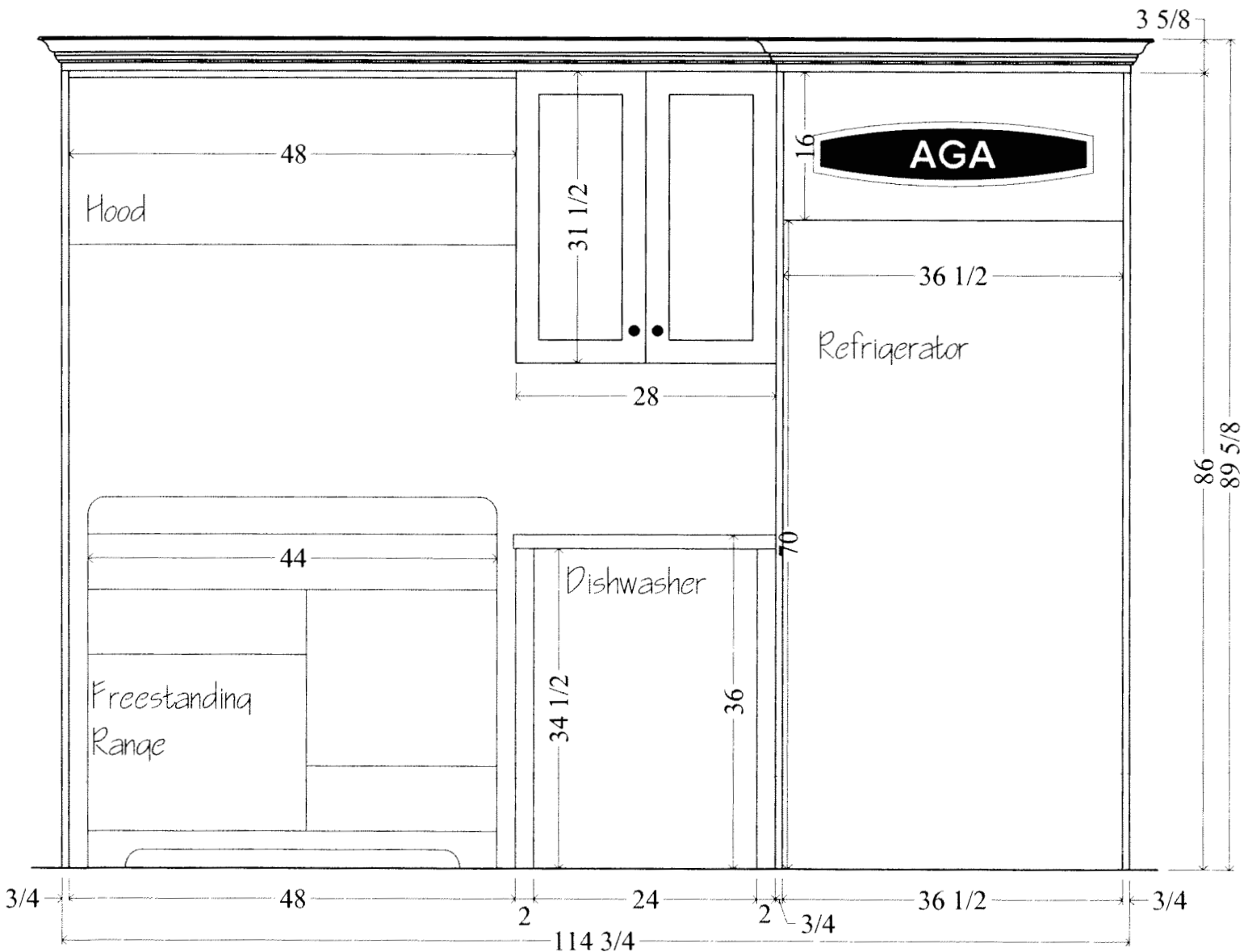
Dimensions: 26"W x 27"D x 44"H

Part Number	Cost	Description
ASDF001	\$100.00	AGA Single Undercounter Refrigeration display. Dimensions: 26"W x 27"D x 44"H. Please allow 6-8 weeks for delivery. (Unit also fits dishwasher)

Displays



Part Number	Cost	Description
LSD001-36	\$1750.00	AGA Legacy Kitchen Display. Includes cutouts for 44" Range, 36" Refrigerator and Dishwasher. Please allow 6-8 weeks for construction and delivery.

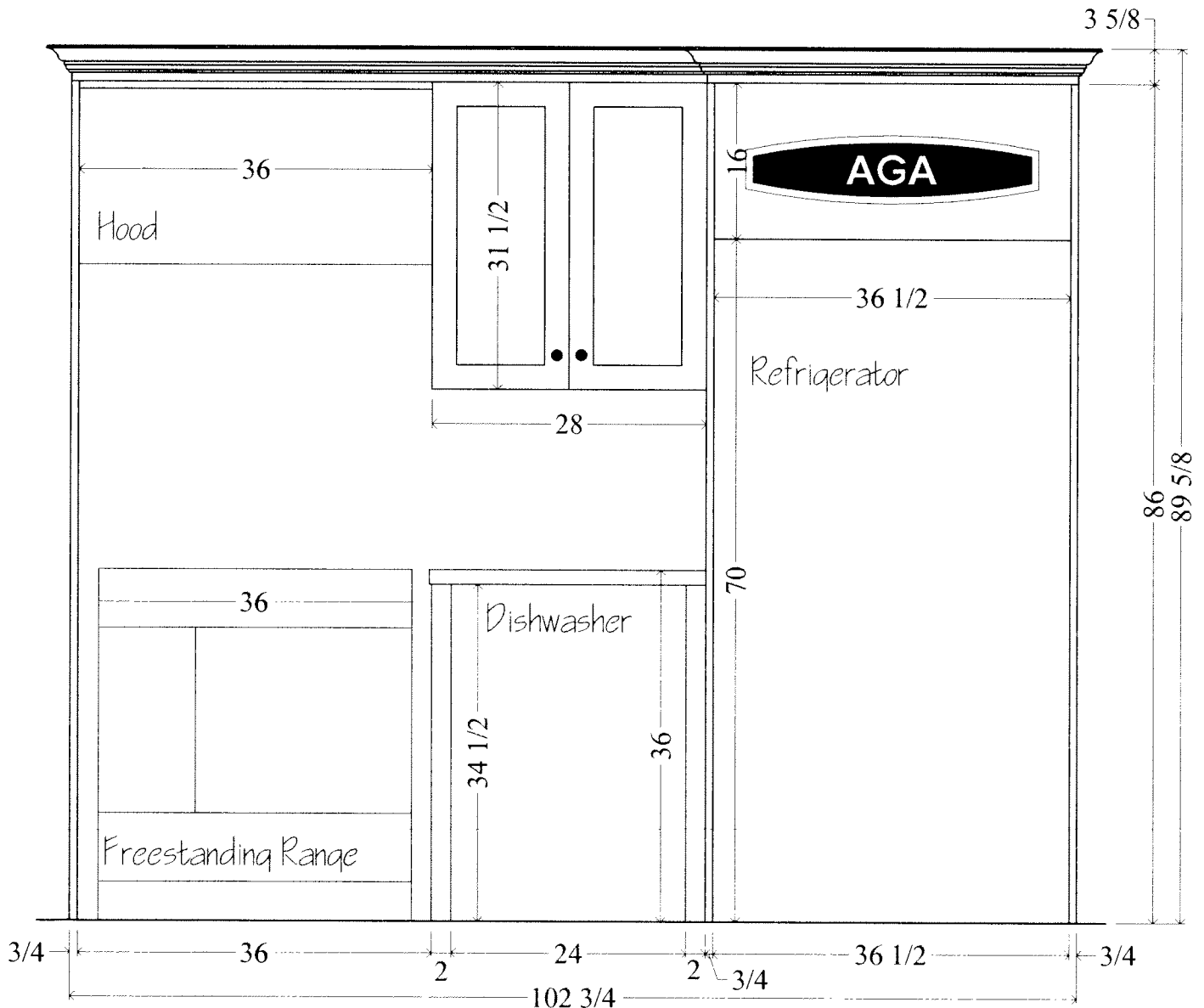


DEPTH AT DEEPEST POINT- 26 1/4"

Displays



Part Number	Cost	Description
10109	\$1750.00	AGA PRO+ Kitchen Display. Includes cutouts for 36" Range, 36" Refrigerator and Dishwasher. Please allow 6-8 weeks for construction and delivery.



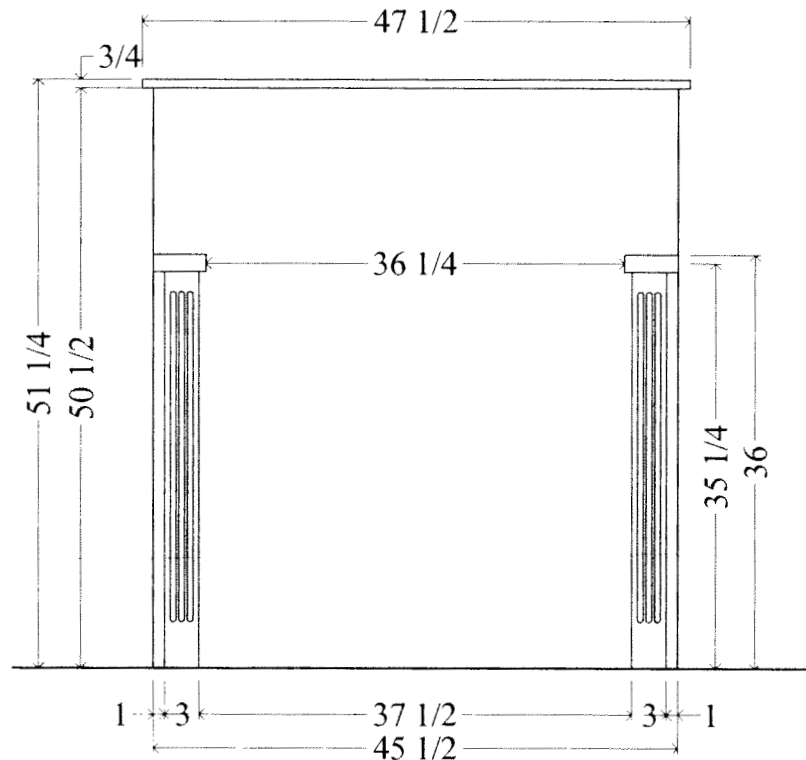
DEPTH AT DEEPEST POINT- 26 1/4"

Displays



*Artist rendering of display - not exactly as shown.

Part Number	Cost	Description
10110	\$535.00	AGA Short Range Display. Includes cutouts for 36" range and graphics for PRO+™ and Legacy usage. Available in English or French. Please allow 6-8 weeks for construction and delivery.



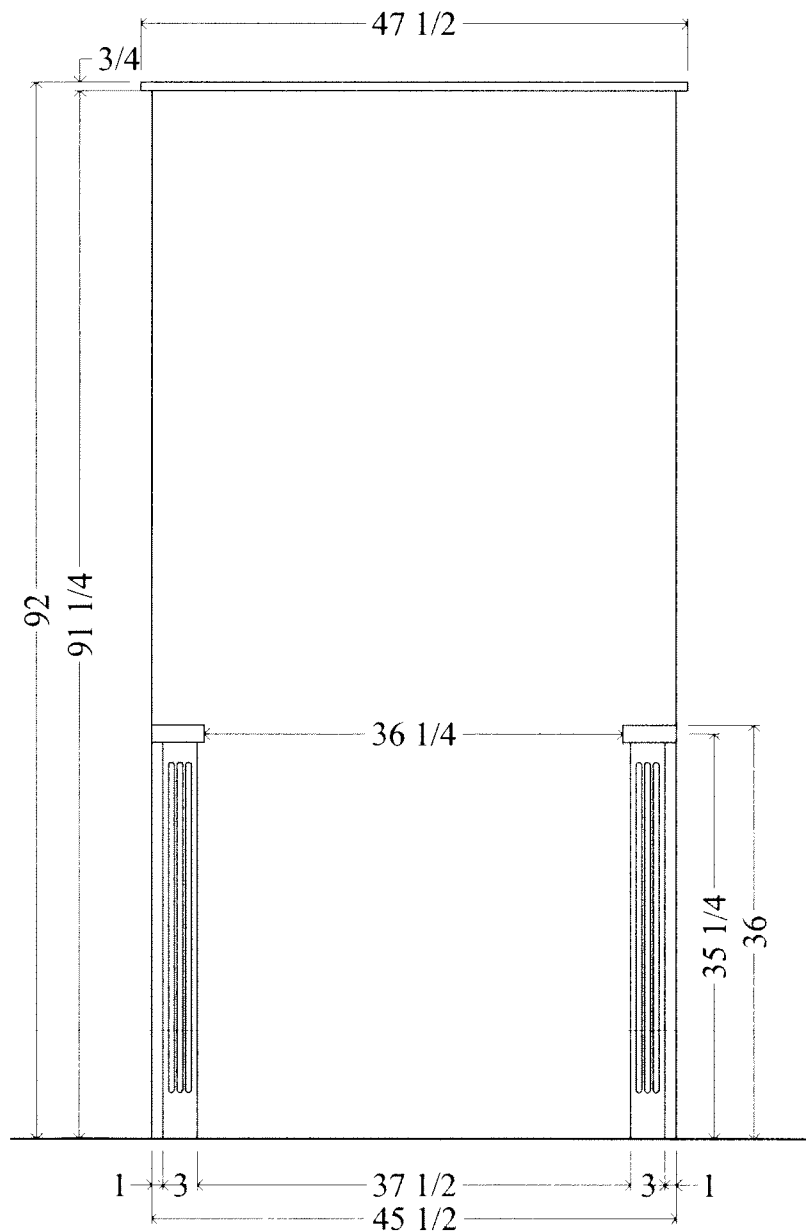
DEPTH AT DEEPEST POINT- $27 \frac{1}{4}$ "

Displays



*Hood is a sample image. Artist rendering of display - not exactly as shown.

Part Number	Cost	Description
10111	\$710.00	AGA Tall Range Display. Includes cutouts for 36" range, backsplash and hood. Please allow 6-8 weeks for construction and delivery.



DEPTH AT DEEPEST POINT- $27 \frac{1}{4}$ "

AGA MARVEL



Where hot meets cold.

AGA MARVEL

1050 Fountain St. N
Cambridge, ON N3H 4R7 Canada
Tel. 877.650.5775 Fax. 800.327.5609
www.agamarvel.com

© AGA MARVEL 2010, all rights reserved.
Last Updated 06/10
AGA Marketing Materials

ORDERING POLICY

- All the preceding items can be ordered through Order Desk at 1-877-650-5775
- Please refer to your Dealer/Distributor manual or contact your sales representative for further information.
- For a list of eligible materials for co-op please refer to your Dealer or Distributor Policy Manual.
- Freight charges may apply.
- Prices are subject to change without notice.



www.aga-ranges.com